



A.H. Systems, Inc.

9710 Cozycroft Ave.
Chatsworth, CA 91311



Tel: (818) 998-0223



sales@AHSystems.com

Fax: (818) 998-6892



www.AHSystems.com

SAS-574

Double Ridge Guide Horn Antenna

18 GHz – 40 GHz

High gain, low VSWR, and rugged design make this horn antenna excellent for both immunity and emissions testing.



Frequency Range: 18 GHz - 40 GHz

Antenna Factor: 40.3 to 41.1

Gain: 15 to 21.2 dBi

Maximum Continuous Power: 10 Watts

Max Radiated Field: 150 V/M

Impedance: 50 Ω

VSWR: 1.2:1 (1.5:1 max)

Connector: WRD-180C24 to 2.9mm female

Mounting Base: ¼ - 20 Thread, female

Features

- Broad Frequency Range of 18 GHz to 40 GHz
- Linearly Polarized High Gain, Low VSWR
- Individually Calibrated
- Three year Warranty

The A.H. Systems' Double Ridge Guide Horn Antenna is a broadband antenna that offers excellent performance over the frequency range of 18 GHz to 40 GHz. High gain, low VSWR, and input handling capability up to 10 watts make this horn antenna an excellent general use performer.

Recommended Accessories

- PAM-1840 (Preampifier)
- SAC-40G-1.5 (1.5 Meter Low Loss Cable)
- SAC-40G-0.5 (0.5 Meter Low Loss Cable)



A.H. Systems, Inc.

9710 Cozycroft Ave.
Chatsworth, CA 91311



Tel: (818) 998-0223
Fax: (818) 998-6892

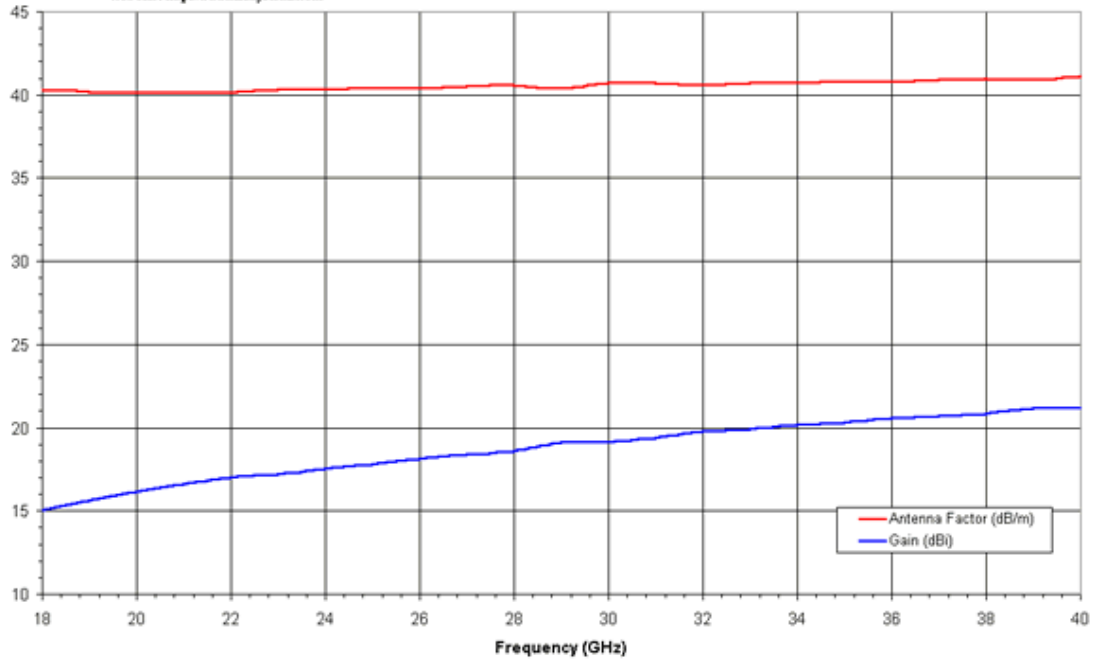
◆ sales@AHSystems.com
◆ www.AHSystems.com



A.H. Systems Inc.

9710 Cozycroft Ave. Chatsworth, CA 91311
Phone (818) 998-0223 Fax (818) 998-6892
E-mail: info@A.H.Systems.com
Web site: <http://www.AHSystems.com>

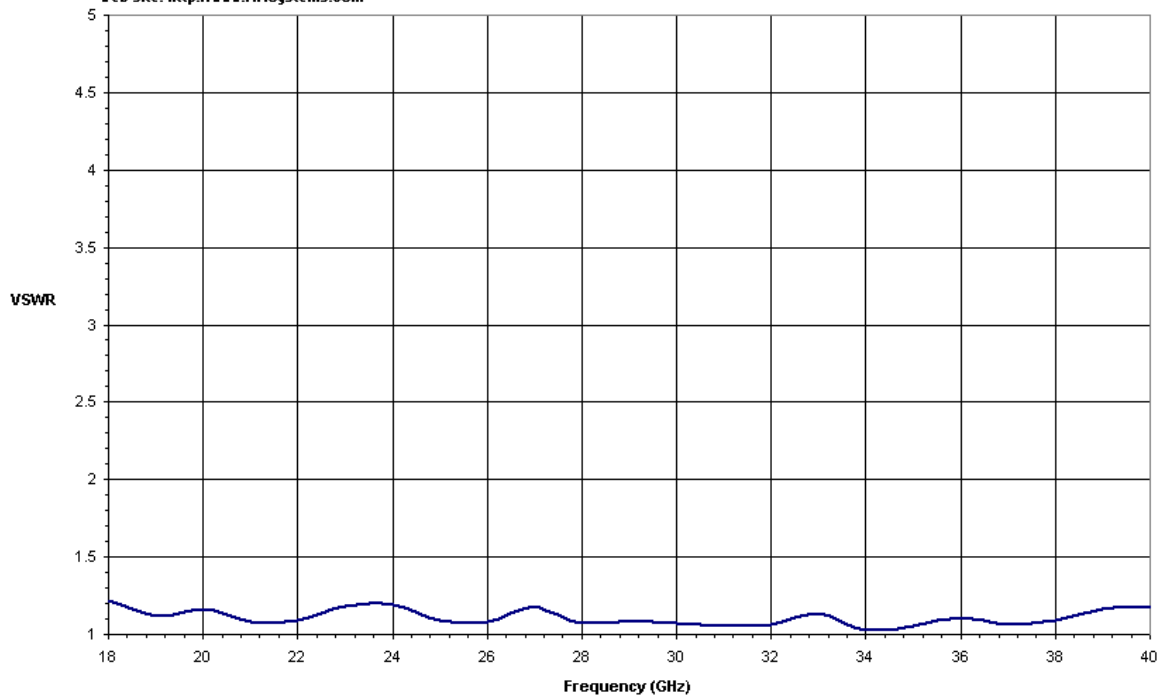
Model: SAS-574
Double Ridge Guide Horn Antenna



A.H. Systems Inc.

9710 Cozycroft Ave. Chatsworth, CA 91311
Phone (818) 998-0223 Fax (818) 998-6892
E-mail: sales@A.H.Systems.com
Web site: <http://www.AHSystems.com>

Antenna VSWR
Model: SAS-574





A.H. Systems, Inc.

9710 Cozycroft Ave.
Chatsworth, CA 91311

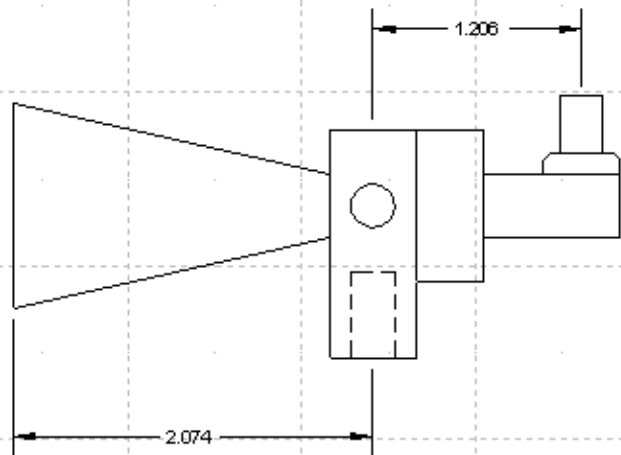
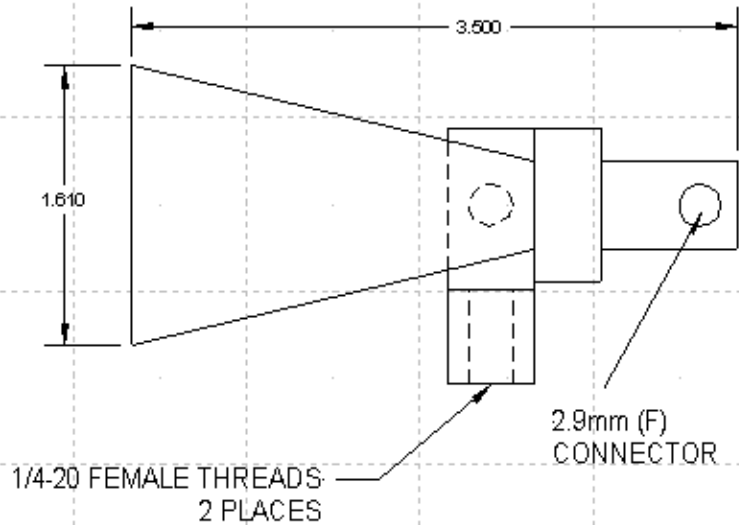
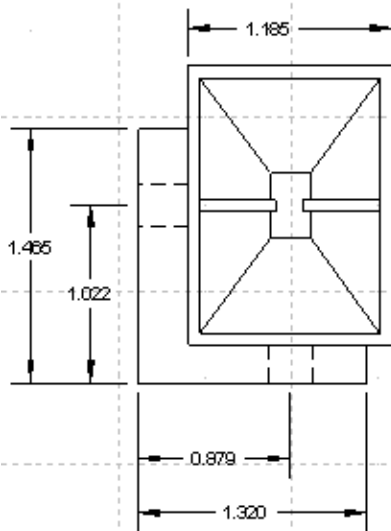


Tel: (818) 998-0223

◆ sales@AHSystems.com

Fax: (818) 998-6892

◆ www.AHSystems.com



Physical Dimensions:

Length: 3.5 in. (8.9 cm)

Width: 1.2 in. (3 cm)

Height: 1.6 in. (4.1 cm)

Weight: 0.2 lbs. (0.09 kg)