



## A.H. Systems, Inc.

9710 Cozycroft Ave.  
Chatsworth, CA 91311



Tel: (818) 998-0223



sales@AHSystems.com

Fax: (818) 998-6892



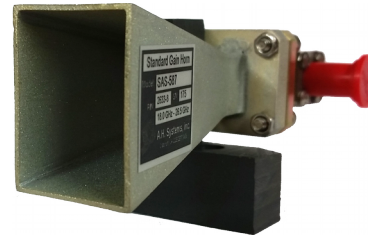
www.AHSystems.com

## SAS-587

### Standard Gain Horn Antenna

18 GHz – 26.5 GHz

This Standard gain horn antenna has medium gain, low VSWR, and a constant antenna factor; excellent for both immunity and emissions testing.



Frequency Range: 18 GHz – 26.5 GHz

Antenna Factor: 42.2 dB/m

Gain: 14.8 dBi

Maximum Continuous  
Power: 50 Watts

Max Radiated Field: 225 V/m

Beamwidth E-plane: 30°

Beamwidth H-plane: 30°

Impedance: 50 Ω

VSWR: 1.25:1 (1.5:1 max)

Connector: WR-42 to SMA-Type female adapter

### Features

- Frequency Range of 18 GHz to 26.5 GHz
- Linearly Polarized High Gain, Low VSWR
- Individually Calibrated
- Three year Warranty

The Standard Gain Horn Antennas are designed specifically for utilization in emissions and immunity testing over the frequency range of 1 to 40 GHz. Each antenna is linearly polarized and has medium gain, low VSWR, and a constant antenna factor. The Standard Gain Horn performance is very precise and predictable through design parameters. Comparisons of measured versus computed antenna factors and gain have been shown to be +/- .5 dB. Therefore, the antenna is considered to be a standard reference, similar to that of a resonant dipole below 1 GHz. The coax-to-waveguide adapter is the only power-limiting component on the antenna and can be removed if high fields are desired. Each Standard Gain Horn comes with a tripod mount that adapts to any tripod with 1/4-20 male threads. Horizontal and vertical polarization is obtained by rotating the antenna on the tripod.

### Recommended Accessories

- ATU-510 (Antenna Tripod Unit, Wooden)
- AEH-510 (Azimuth and Elevation Head)
- SAC-18G-3 (3 Meter Low Loss Cable)





**A.H. Systems, Inc.**

9710 Cozycroft Ave.

Chatsworth, CA 91311



Tel: (818) 998-0223

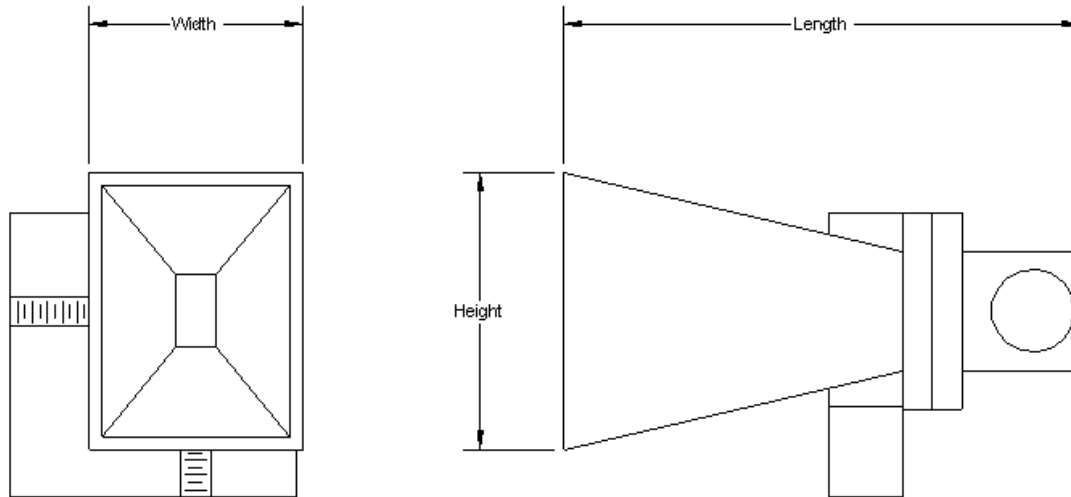


sales@AHSystems.com

Fax: (818) 998-6892



www.AHSystems.com



*Figure 1 - (Horizontal Polarization)*

**Physical Dimensions:**

Length: 3.4 in. (8.6 cm)

Width: 0.9 in. (2.29 cm)

Height: 1.2 in. (3.05 cm)

Weight: 0.2 lb. (0.09 kg)